



Model:SC7H230D2

◎ POWER RATING

Engine Speed	Type of	Gross Engine Output	Net Engine Output
rpm	Operation	kW	kW
1500	Prime Power	154	147
	Standby Power	170	163

-. The engine performance is as per GB/T2820.

-. Ratings are based on GB/T1147.1.

---Prime power is available for an unlimited number of hours per year in a variable load application. The permissible average power output over 24 hours of operation shall not exceed 80% of the prime power rating.

---Standby power is available in the event of a utility power outage or under test conditions for up to 200 hours of operation per year. The permissible average power output over 24 hours of operation shall not exceed 80% of the standby power rating.

◎ SPECIFICATIONS

○ Engine Model	SC7H230D2
○ Engine Type	In-line,4 strokes, water-cooled 4 valves, Turbo charged air-to-air intercooled
○ Combustion type	Direct injection
○ Cylinder Type	Dry liner
○ Number of cylinders	6
○ Bore × stroke	105(4.14) × 124(4.89) mm(in.)
○ Displacement	6.44(393) lit.(in3)
○ Compression ratio	16 : 1
○ Firing order	1-5-3-6-2-4
○ Injection timing	12°BTDC
○ Dry weight	Approx. 580 kg (1278.7 lb)
○ Dimension (L×W×H)	1343×741×1267 mm (52.9×29.2×49.9 in.)
○ Rotation	Counter clockwise viewed from

◎ FUEL CONSUMPTION

○ Power	lit/hr
25%	9.5
50%	17.8
75%	26.8
100%	36.0
110%	39.9
◎ FUEL SYSTEM	
○ Injection pump	Longkou in-line “P” type
○ Governor	Electric type
○ Feed pump	Mechanical type
○ Injection nozzle	Multi hole type
○ Opening pressure	250 kg/cm ² (3556 psi)



	Flywheel		○ Fuel filter	Full flow, cartridge type
○ Fly wheel housing	SAE NO.3		○ Used fuel	Diesel fuel oil
○ Fly wheel	SAE NO.11.5			
◎ MECHANISM		◎ LUBRICATION SYSTEM		
○ Type	Over head valve		○ Lub. Method	Fully forced pressure feed type
○ Number of valve	Intake 2, exhaust 2 per cylinder		○ Oil pump	Gear type driven by crankshaft
○ Valve lashes at cold	Intake 0.25mm (0.0099 in.)		○ Oil filter	Full flow, cartridge type
	Exhaust 0.50mm (0.0197 in.)		○ Oil pan capacity	High level 17.5 liters (4.62 gal.) Low level 15 liters (3.96 gal.)
◎ VALVE TIMING			○ Angularity limit	Front down 25 deg. Front up 35 deg. Side to side 35 deg.
	Opening	Close		
○ Intake valve	20.9° BTDC	44.9° ABDC		
○ Exhaust valve	51.7° BBDC	11.7° ATDC	○ Lub. Oil	Refer to Operation Manual
◎ COOLING SYSTEM		◎ ENGINEERING DATA		
○ Cooling method	Fresh water forced circulation		○ Water flow	170 liters/min @1,500 rpm
○ Water capacity (engine only)	9.6 liters (2.5 gal.)		○ Heat rejection to coolant	15.5 kcal/sec @1,500 rpm
			○ Heat rejection to CAC	9.7 kcal/sec @1,500 rpm
○ Pressure system	Max. 0.5 kg/cm ² (7.11 psi)		○ Engine waste heat	4.8 kcal/sec @1,500 rpm
○ Water pump	Centrifugal type driven by belt		○ Air flow	12.2 m ³ /min @1,500 rpm
○ Water pump Capacity	170liters (44.9 gal.)/min		○ Exhaust gas flow	27.2 m ³ /min @1,500 rpm
	at 1,500 rpm (engine)		○ Exhaust gas temp.	600 °C @1,500 rpm
○ Thermostat	Wax–pellet type		○ Max. permissible	
	Opening temp. 82°C		restrictions	
	Full open temp. 95°C		Intake system	3 kPa initial



- Cooling fan
 - Blower type, plastic
 - 660 mm diameter, 10 blades
- Cooling air flow
 - 4.53 m³/s

- Exhaust system
 - 6 kPa final
 - 6 kPa max.
- Max. permissible altitude
 - 2,000 m

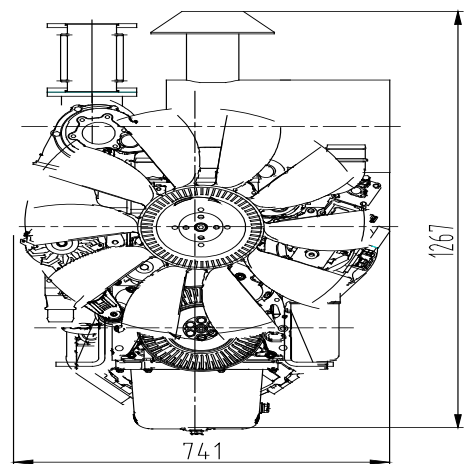
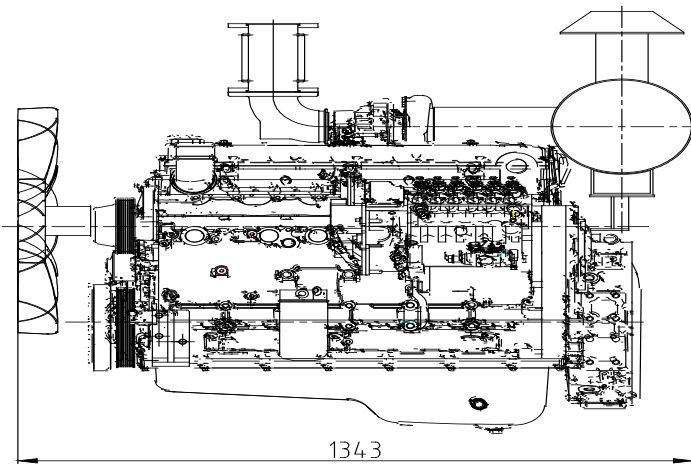
- Fan power
 - 6 kW

◎ ELECTRICAL SYSTEM

- Charging generator
 - 28V×55A
- Voltage regulator
 - Built-in type IC regulator
- Starting motor
 - 24V×6kW
- Battery Voltage
 - 24V
- Battery Capacity
 - 150 AH

◆ CONVERSION TABLE

- in. = mm × 0.0394
- PS = kW × 1.3596
- psi = kg/cm² × 14.2233
- in³ = lit. × 61.02
- hp = PS × 0.98635
- lb = kg × 2.20462
- lb/ft = N.m × 0.737
- U.S. gal = lit. × 0.264
- kW = 0.2388 kcal/s
- lb/PS.h = g/kW.h × 0.00162
- cfm = m³/min × 35.336



Engine speed	Initial load acceptance when engine reaches rated speed (15 seconds maximum after engine starts to crank)				2nd load application Immediately after engine has recovered to rated speed (5 seconds after initial load application)			
	Prime power %	Load kWm (kWe) Nett	Transient Frequency deviation %	Frequency recovery time seconds	Prime power %	Load kWm (kWe) Nett	Transient Frequency deviation %	Frequency recovery time seconds
1500 rev/min	45	69	≤7	3	25	38	≤7	3